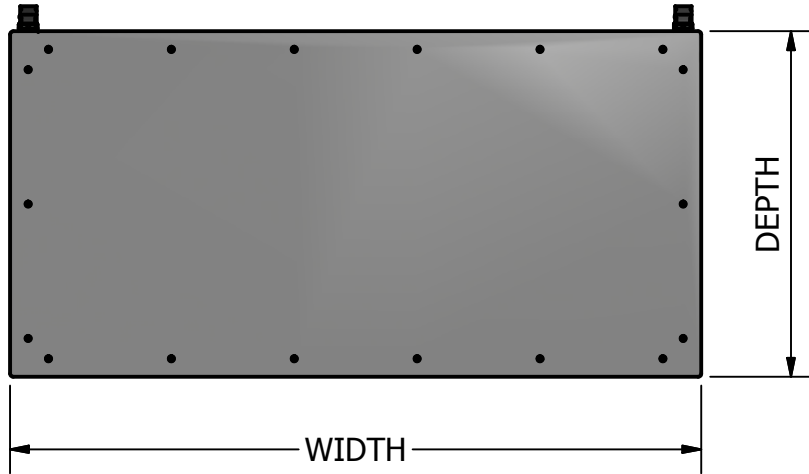
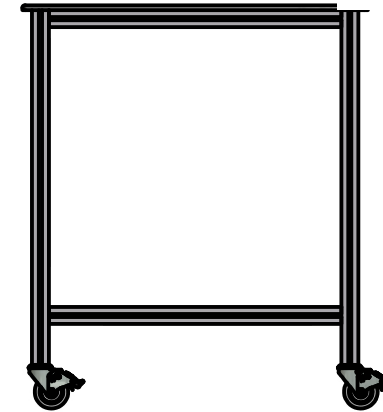
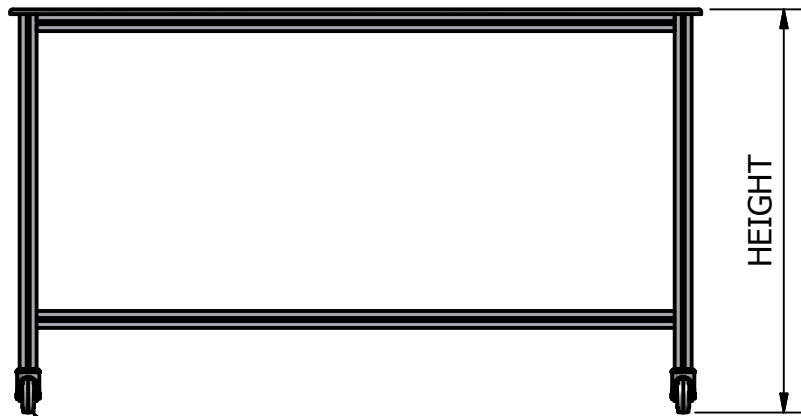


TABLES ARE EASY TO CUSTOMIZE
 CHANGE TABLE TOP, CASTERS/ LEVELERS
 PROFILE TYPE ETC.



20.1063 45X45 UL
 ALUMINUM PROFILE

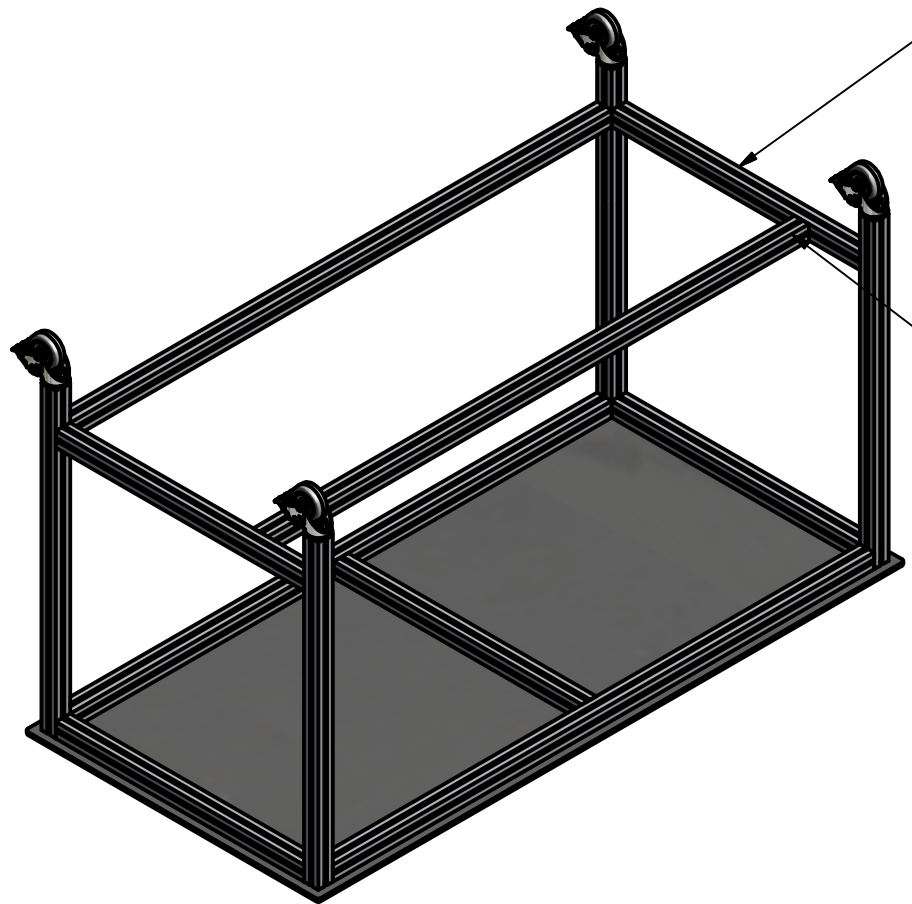


21.9402 SWIVEL BALL BEARING CASTER
 WITH TOP PLATE & BRAKE
 LOAD RATING 250 LBS

LOAD RATING DEPENDS ON SIZE &
 TYPE OF USE. THIS DESIGN IS GENERALLY
 FOR THE 100 - 300 POUND RANGE

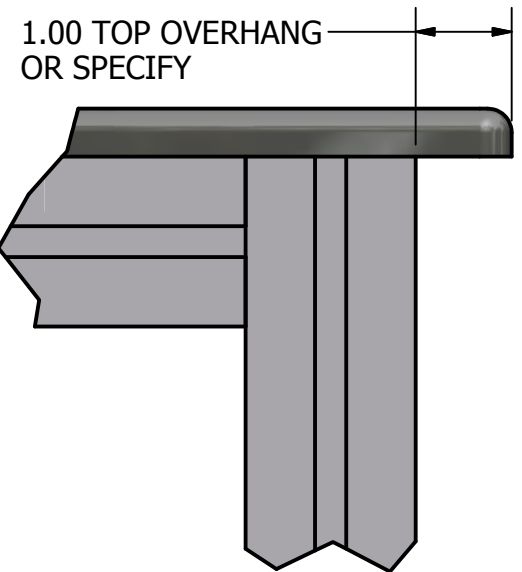
MiniTec
 THE ART OF SIMPLICITY
 WWW.MINITECFRAMING.COM
 VICTOR, NY
 PH # 585 924-4690
 DIRECT 585 398-1240 EXT 104
 FX # 585 924-4821
 amoles@minitecframing.com

TITLE LIGHT/MEDIUM DUTY TABLE	DWG NO SP042413	REV
----------------------------------	---------------------------	-----



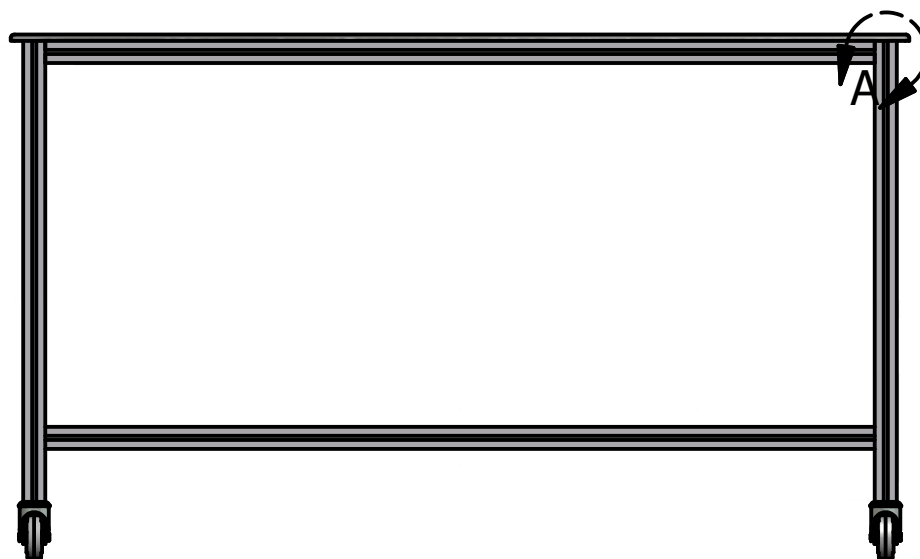
ALL MEMBERS ARE ATTACHED WITH THE ADJUSTABLE POWER-LOCK FASTENER & ARE EASILY MOVED

A FULL OR PARTIAL SHELF IS EASY TO ADD TO LOWER MEMBERS



1.00 TOP OVERHANG OR SPECIFY

DETAIL A
SCALE .5

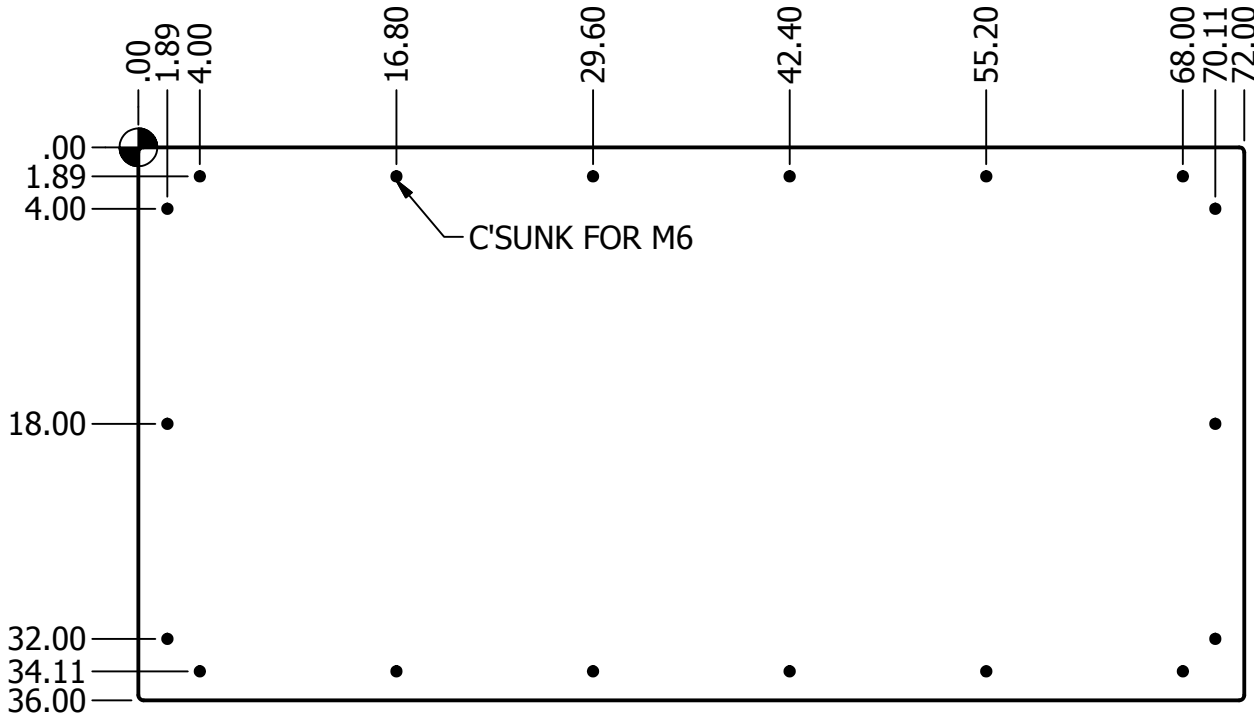
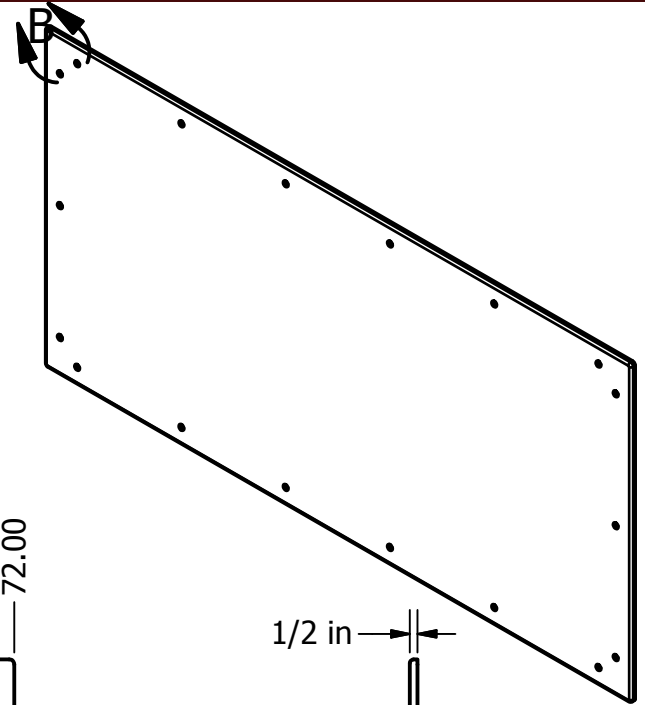
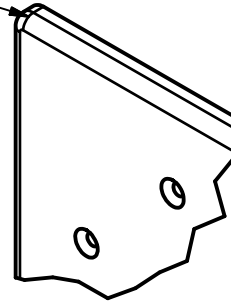


WWW.MINITECFRAMING.COM
 VICTOR, NY
 PH # 585 924-4690
 DIRECT 585 398-1240 EXT 104
 FX # 585 924-4821
amoles@minitecframing.com

TITLE LIGHT/MEDIUM DUTY TABLE	DWG NO SP042413	REV
----------------------------------	---------------------------	-----

EXAMPLE TABLE TOP FOR
72" WIDE & 36" DEEP
TABLE TOP WITH A
1" OVERHANG

1/4" FILLET



1/2 in

MiniTec
THE ART OF SIMPLICITY
WWW.MINITECFRAMING.COM
VICTOR, NY
PH # 585 924-4690
DIRECT 585 398-1240 EXT 104
FX # 585 924-4821
amoles@minitecframing.com

TITLE LIGHT/MEDIUM DUTY TABLE	DWG NO SP042413 TABLE TOP	REV
----------------------------------	-------------------------------------	-----